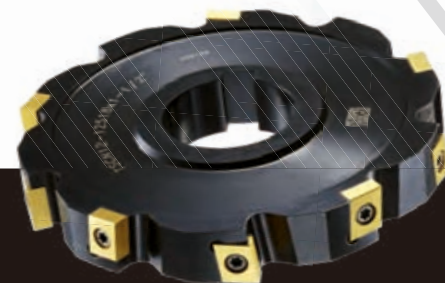


2011-2012
NEW Products guide



CUTTING TOOLS *2011-2012*
NEW PRODUCTS GUIDE



 明祿工業股份有限公司
MAROX TOOLS INDUSTRIAL CO., LTD.

No.65,Lane22,Sec.1,Sinren Rd.,Taiping City,Taichung County411,Taiwan
411台灣台中市太平區新仁路一段22巷65號
TEL : +886-4-22780167 FAX : +886-4-22780111
www.marox.com.tw



MS6R-100807R-32MIT

ETS3214-S32
A68070

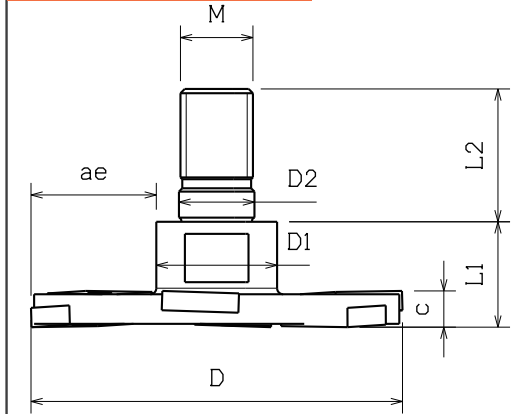
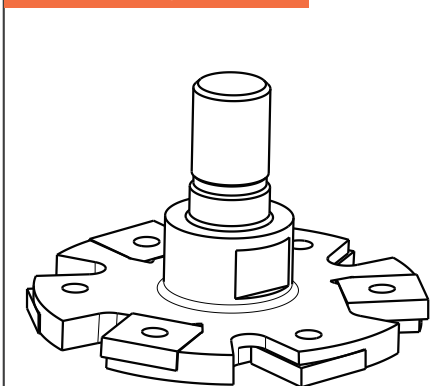
EM90AP10-D25X08

 MAROX TOOLS INDUSTRIAL CO.,LTD.
Product Guide



立體視意圖 Stereopsis intent

前視意圖 As intention ago



Insert type 適用刀片 : SNHX1102

Order No.	D(mm)	c(mm)	ae(mm)	D1(mm)	D2(mm)	M	L1(mm)	L2(mm)	I No.
MICSN04004	40	4	12	12	8.5	M8	15.5	17	4
MICSN05004	50	4	16	16	10.5	M10	15.5	19	6
MICSN06304	63	4	20	20	12.5	M12	15.5	22	6
MICSN08004	80	4	26	25	17	M16	15.5	23	10

Insert type 適用刀片 : SNHX1103

Order No.	D(mm)	c(mm)	ae(mm)	D1(mm)	D2(mm)	M	L1(mm)	L2(mm)	I No.
MICSN04005	40	5	12	12	8.5	M8	16.5	17	4
MICSN05005	50	5	16	16	10.5	M10	16.5	19	6
MICSN06305	63	5	20	20	12.5	M12	16.5	22	6
MICSN08005	80	5	26	25	17	M16	16.5	23	10

Insert type 適用刀片 : SNHX1203

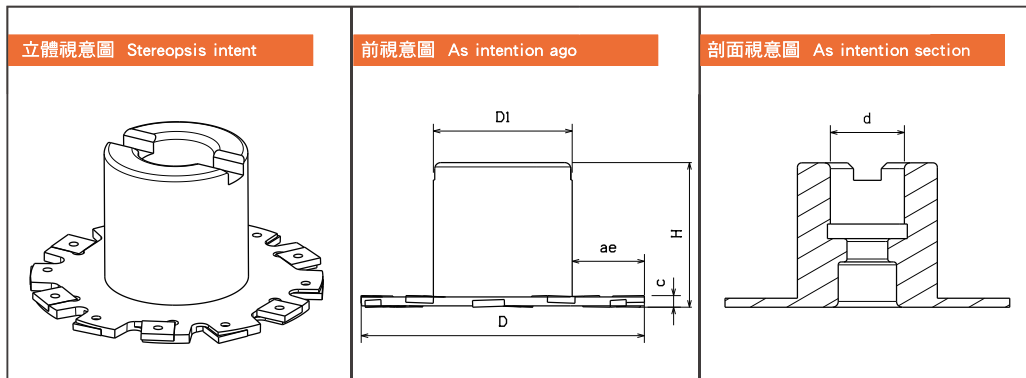
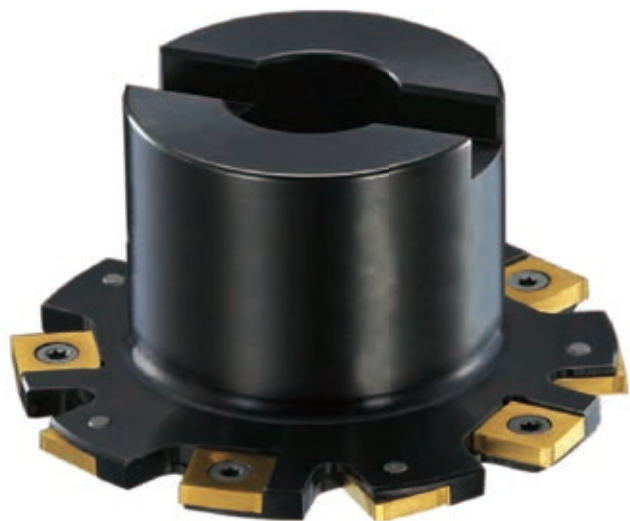
Order No.	D(mm)	c(mm)	ae(mm)	D1(mm)	D2(mm)	M	L1(mm)	L2(mm)	I No.
MICSN05006	40	6	16	16	10.5	M10	17.5	19	4
MICSN06306	50	6	20	20	12.5	M12	17.5	22	6
MICSN08006	63	6	26	25	17	M16	17.5	23	10

Insert type 適用刀片 : SNHX1204

Order No.	D(mm)	c(mm)	ae(mm)	D1(mm)	D2(mm)	M	L1(mm)	L2(mm)	I No.
MICSN05007	50	7	16	16	10.5	M10	18.5	19	4
MICSN06307	63	7	20	20	12.5	M12	18.5	22	6
MICSN08007	80	7	26	25	17	M16	18.5	23	10

Insert type 適用刀片 : SNHX1205

Order No.	D(mm)	c(mm)	ae(mm)	D1(mm)	D2(mm)	M	L1(mm)	L2(mm)	I No.
MICSN05008	50	8	16	16	10.5	M10	19.5	19	4
MICSN06308	63	8	20	20	12.5	M12	19.5	22	6
MICSN08008	80	8	26	25	17	M16	19.5	23	10



Insert type 適用刀片 : SNHX1102

Order No.	D(mm)	c(mm)	ae(mm)	H(mm)	D2(mm)	d(mm)	d(inch)	I No.
NTSSN10004	100	4	25	50	48	27	1"	12
NTSSN12504	125	4	32	50	58	32	1-1/4"	14
NTSSN16004	160	4	43	50	70	40	1-1/2"	18
NTSSN20004	200	4	55	50	88	40	1-1/2"	20

Insert type 適用刀片 : SNHX1103

Order No.	D(mm)	c(mm)	ae(mm)	H(mm)	D2(mm)	d(mm)	d(inch)	I No.
NTSSN10005	100	5	25	50	48	27	1"	12
NTSSN12505	125	5	32	50	58	32	1-1/4"	14
NTSSN16005	160	5	43	50	70	40	1-1/2"	18
NTSSN20005	200	5	55	50	88	40	1-1/2"	20

Insert type 適用刀片 : SNHX1203

Order No.	D(mm)	c(mm)	ae(mm)	H(mm)	D2(mm)	d(mm)	d(inch)	I No.
NTSSN10006	100	6	25	50	48	27	1"	10
NTSSN12506	125	6	32	50	58	32	1-1/4"	12
NTSSN16006	160	6	43	50	70	40	1-1/2"	16
NTSSN20006	200	6	55	50	88	40	1-1/2"	18

Insert type 適用刀片 : SNHX1204

Order No.	D(mm)	c(mm)	ae(mm)	H(mm)	D2(mm)	d(mm)	d(inch)	I No.
NTSSN10007	100	7	25	50	48	27	1"	10
NTSSN12507	125	7	32	50	58	32	1-1/4"	12
NTSSN16007	160	7	43	50	70	40	1-1/2"	16
NTSSN20007	200	7	55	50	88	40	1-1/2"	18

Insert type 適用刀片 : SNHX12045

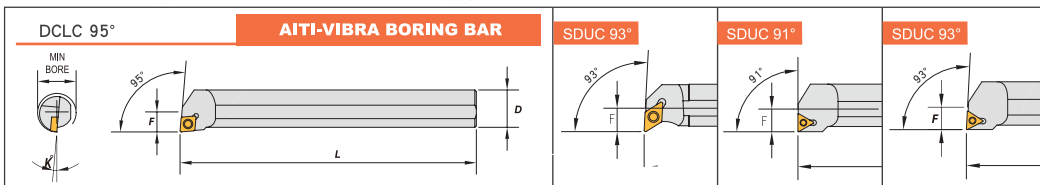
Order No.	D(mm)	c(mm)	ae(mm)	H(mm)	D2(mm)	d(mm)	d(inch)	I No.
NTSSN10008	100	8	25	50	48	27	1"	10
NTSSN12508	125	8	32	50	58	32	1-1/4"	12
NTSSN16008	160	8	43	50	70	40	1-1/2"	16
NTSSN20008	200	8	55	50	88	40	1-1/2"	18

Insert type 適用刀片 : SNHX1205

Order No.	D(mm)	c(mm)	ae(mm)	H(mm)	D2(mm)	d(mm)	d(inch)	I No.
NTSSN10010	100	10	25	50	48	27	1"	10
NTSSN12510	125	10	32	50	58	32	1-1/4"	12
NTSSN16010	160	10	43	50	70	40	1-1/2"	16
NTSSN20010	200	10	55	50	88	40	1-1/2"	18

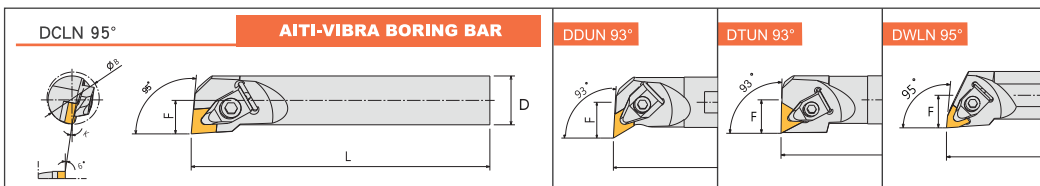
Insert type 適用刀片 : SNHX1207

Order No.	D(mm)	c(mm)	ae(mm)	H(mm)	D2(mm)	d(mm)	d(inch)	I No.
NTSSN10012	100	12	25	50	48	27	1"	10
NTSSN12512	125	12	32	50	58	32	1-1/4"	12
NTSSN16012	160	12	43	50	70	40	1-1/2"	16
NTSSN20012	200	12	55	50	88	40	1-1/2"	18



Recommended Insert 刀片建議品牌: KENNAMETAL, MAROX

Order No.	Insert	D	F	L	B	K	Screw	Wrench
T20R-SCLCR12-22	CCMT1204	20	11	200	24	5°	CS40110	FT-15
T25S-SCLCR12-28	CCMT1204	25	14.5	250	28	5°	CS40110	FT-15
T32T-SCLCR12	CCMT1204	32	22	300	39	5°	CS40110	FT-15
T20R-SDUCR11	DCMT11T3	20	13	200	25	5°	CS35090	FT-15
T25S-SDUCR11	DCMT11T3	23	17	250	32	4°	CS35090	FT-15
T32T-SDUCR11	DCMT11T3	32	22	300	39	4°	CS35090	FT-15
T20R-STFCR16-22	TCMT16T3	20	11	200	22	6°	CS35090	FT-15
T25S-STFCR16-28	TCMT16T3	25	14.5	250	28	6°	CS35090	FT-15
T32T-STFCR16	TCMT16T3	32	22	300	39	4°	CS35090	FT-15
T20R-STUPR16-22	TPMT1604	20	11	200	22	6°	CS35090	FT-15
T25S-STUPR16-28	TPMT1604	25	14.5	250	28	6°	CS35090	FT-15
T32T-STUPR16	TPMT1604	32	22	300	39	4°	CS35090	FT-15



Order No.	Insert	D	F	L	B	K	Shim	Screw	Clamp	Spring	Screw	Wrench
T32T-DCLNR12	CNMG1204	32	22	300	40	14°	SMC-422	CS6-04080	CP-D4	SP0816	CS60200	TL20
T40V-DCLNR12	CNMG1204	40	27	400	50	12°	SMC-422	CS6-04080	CP-D4	SP0816	CS60200	TL20
T50W-DCLNR12	CNMG1204	50	35	450	63	10°	SMC-422	CS6-04080	CP-D4	SP0816	CS60200	TL20
T32T-DDUNR16	DNMG1504	32	22	300	40	12°	SMD-424	CS6-04080	CP-D4	SP0816	CS60200	TL20
T40V-DDUNR16	DNMG1504	40	27	400	50	10°	SMD-424	CS6-04080	CP-D4	SP0816	CS60200	TL20
T50W-DDUNR16	DNMG1504	50	35	450	63	8°	SMD-424	CS6-04080	CP-D4	SP0816	CS60200	TL20
T32T-DTUNR16	TNMG1604	32	22	300	40	12°	SMT-323	CS40079	CP-D2	SP0612	CS40150	TL15
T40V-DTUNR16	TNMG1604	40	27	400	50	10°	SMT-323	CS40079	CP-D2	SP0612	CS40150	TL15
T50W-DTUNR16	TNMG1604	50	35	450	63	8°	SMT-323	CS40079	CP-D2	SP0612	CS40150	TL15
T32T-DWLN R08	WNMG0804	32	22	300	40	14°	SMW-423	CS6-04080	CP-D4	SP0816	CS60200	TL20
T40V-DWLN R08	WNMG0804	40	27	400	50	12°	SMW-423	CS6-04080	CP-D4	SP0816	CS60200	TL20
T50W-DWLN R08	WNMG0804	50	35	450	63	10°	SMW-423	CS6-04080	CP-D4	SP0816	CS60200	TL20

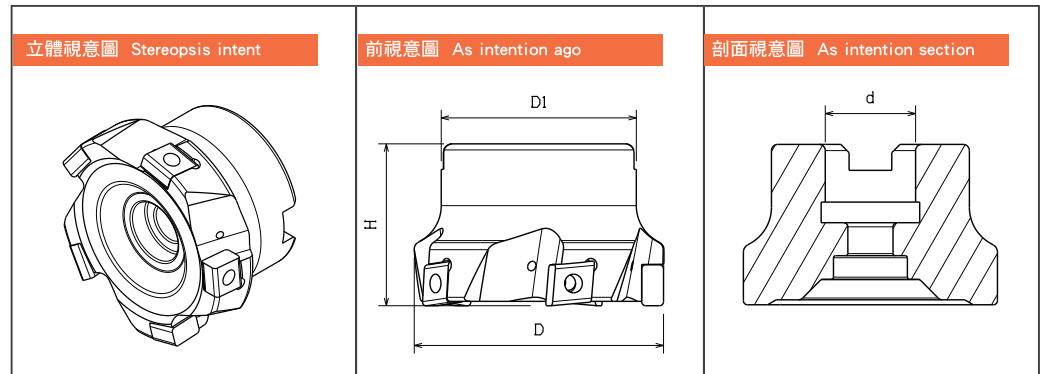


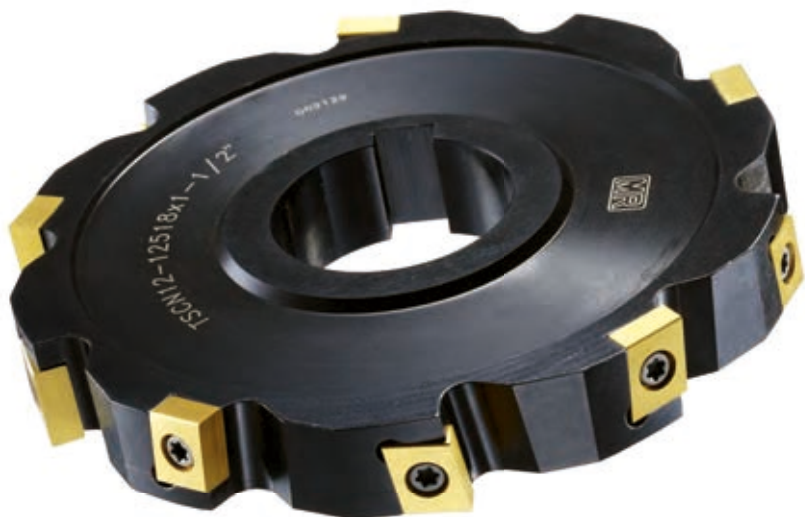
Recommended Insert 刀片建議品牌: KENNAMETAL, MAROX

Order No.	D(mm)	D1(mm)	H(mm)	d(mm)	d(inch)	I No
F90CN10-D40R	40	35	40	16	-	3
F90CN10-D50R	50	45	40	22	-	4
F90CN10-D63R	63	48	40	22	1"	5
F90CN10-D80R	80	52	45	27	1"	6
F90CN10-D100R	100	70	55	32	1-1/4"	7

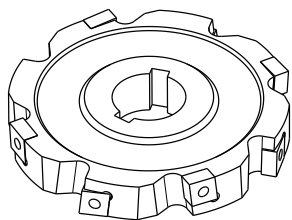
Order example: F90CN10-D40R x16

Type	Insert	Screw	Wrench
TSCN10	CNHU1005 / CNHQ1005	CSA4011	DT-15

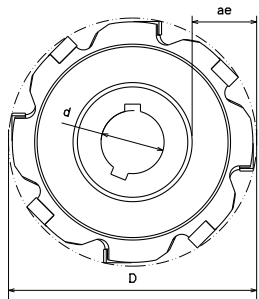




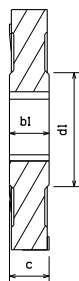
立體視意圖 Stereopsis intent



前視意圖 As intention ago



剖面視意圖 As intention section



Insert: CNHU1005 Acceptable Customized Thickness: 13-17mm 可訂製厚度範圍

Order No.	D(mm)	C(mm)	ae(mm)	b1(mm)	d1(mm)	d(mm)	d(inch)	I No.
TSCN10-08014	80	14	19	14	40	27	1"	6
TSCN10-10014	100	14	26	14	46	27	1"	8
TSCN10-12514	125	14	34	14	55	40	1-1/2"	10
TSCN10-16014	160	14	51	14	55	40	1-1/2"	12
TSCN10-08016	80	16	19	16	40	27	1"	6
TSCN10-10016	100	16	26	16	46	27	1"	8
TSCN10-12516	125	16	34	16	55	40	1-1/2"	10
TSCN10-16016	160	16	51	16	55	40	1-1/2"	12

Insert: CNHU1205 Acceptable Customized Thickness: 17-21mm 可訂製厚度範圍

Order No.	D(mm)	C(mm)	ae(mm)	b1(mm)	d1(mm)	d(mm)	d(inch)	I No.
TSCN12-08018	80	18	19	18	40	27	1"	6
TSCN12-10018	100	18	26	18	46	27	1"	8
TSCN12-12518	125	18	34	18	55	40	1-1/2"	10
TSCN12-16018	160	18	51	18	55	40	1-1/2"	12
TSCN12-08020	80	20	19	20	40	27	1"	6
TSCN12-10020	100	20	26	20	46	27	1"	8
TSCN12-12520	125	20	34	20	55	40	1-1/2"	10
TSCN12-16020	160	20	51	20	55	40	1-1/2"	12

Insert: CNHU1606 Acceptable Customized Thickness: 21-30mm 可訂製厚度範圍

Order No.	D(mm)	C(mm)	ae(mm)	b1(mm)	d1(mm)	d(mm)	d(inch)	I No.
TSCN16-08022	80	22	19	22	40	27	1"	6
TSCN16-10022	100	22	26	22	46	27	1"	8
TSCN16-12522	125	22	34	22	55	40	1-1/2"	10
TSCN16-16022	160	22	51	22	55	40	1-1/2"	12
TSCN16-08024	80	24	19	24	40	27	1"	6
TSCN16-10024	100	24	26	24	46	27	1"	8
TSCN16-12524	125	24	34	24	55	40	1-1/2"	10
TSCN16-16024	160	24	51	24	55	40	1-1/2"	12